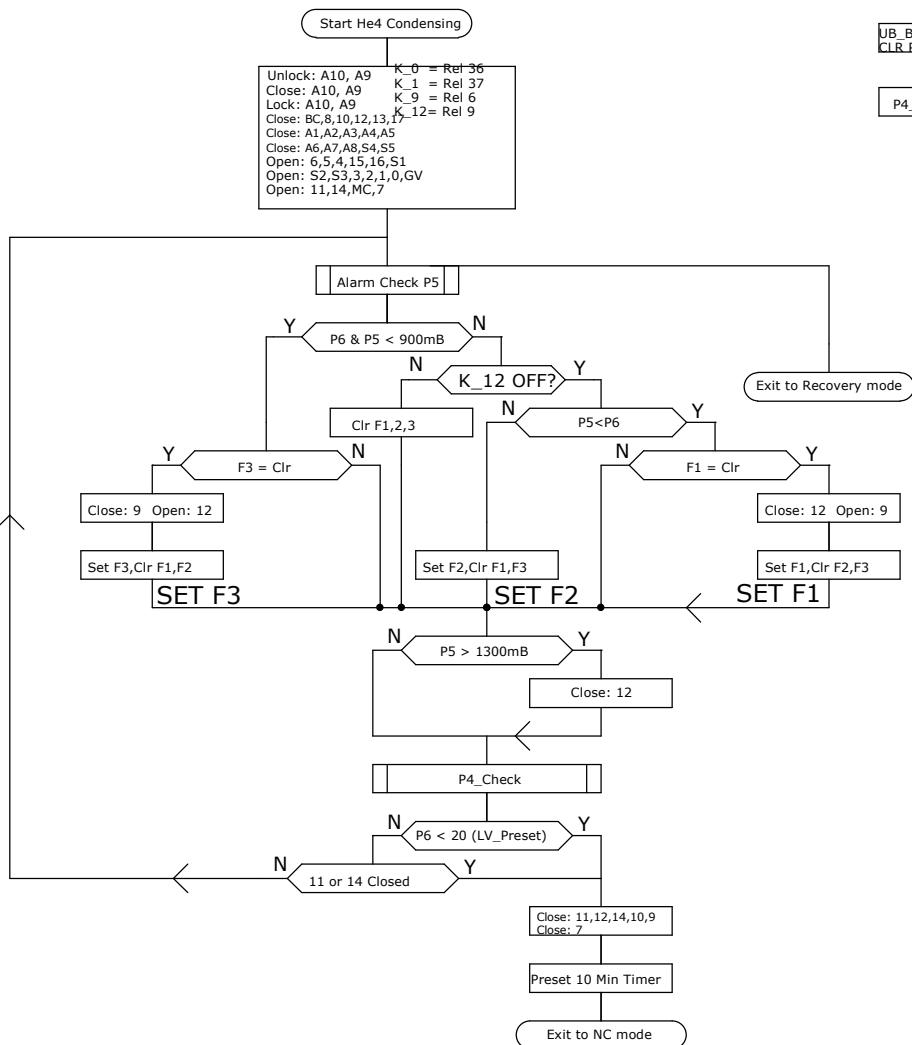
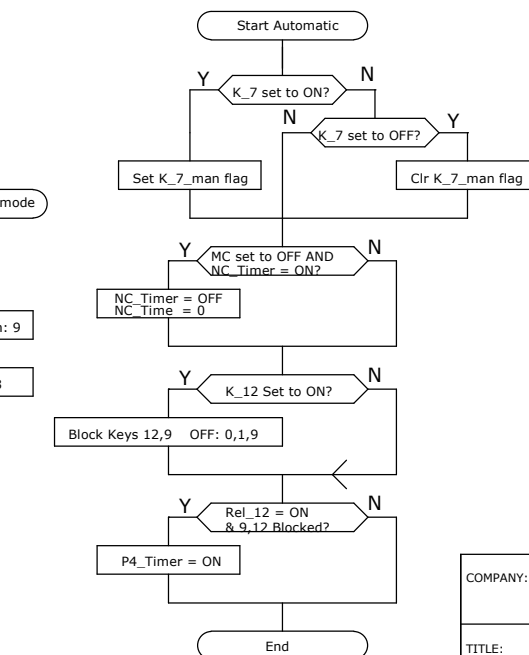
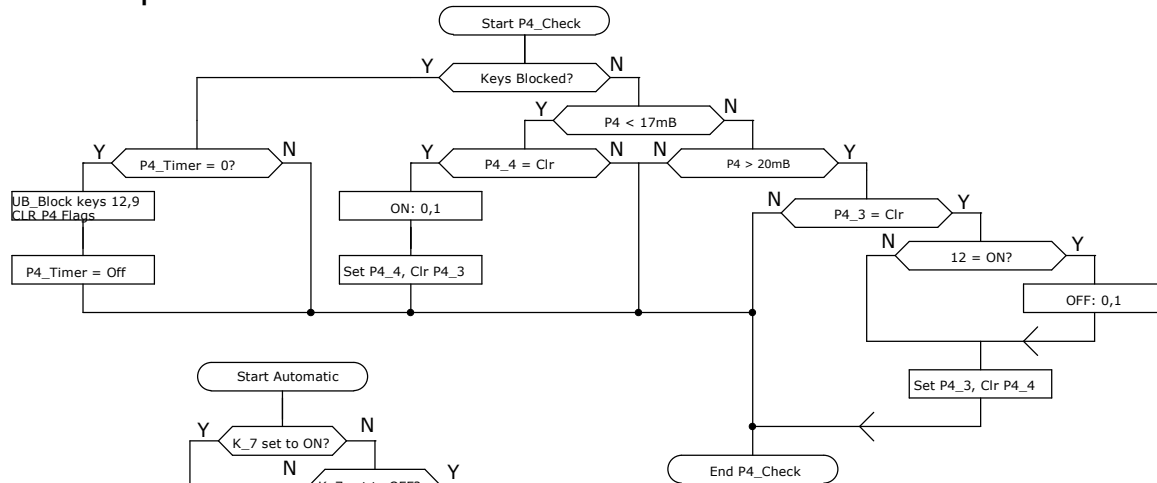


Version 10: When 12 has to be Opened first Close 0,1,9
 then Open wait 2 seconds and recheck P4 to determine
 whether 0,1 should open or stay closed
 block keys 12 and 9 temporarily to prevent operator interference

Version 11: Check P7 > 900mB removed
 Version 12: K_12 Check added

REVISION RECORD			
LTR	ECO NO:	APPROVED:	DATE:



Unlock: A10, A9 K_0 = Rel 36
 Close: A10, A9 K_1 = Rel 37
 Lock: A10, A9 K_9 = Rel 6
 Close: BC,8,10,12,13,17 K_12 = Rel 9
 Close: A1,A2,A3,A4,A5
 Close: A6,A7,A8,S4,S5
 Open: 6,5,4,15,16,S1
 Open: S2,S3,3,2,1,0,GV
 Open: 11,14,MC,7

COMPANY: LEIDEN CRYOGENICS			
TITLE: SOFTWARE KLEPPEN PANEEL			
DRAWN: A H van Dalen	DATED: 08-07-2013	CODE: He4	SIZE: A3
CHECKED: A H van Dalen	DATED: 08-07-2013	DRAWING NO: GHS-2T-1T-700CF-2.5B-V2.48.1	REV: 13
QUALITY CONTROL:	DATED:	SCALE:	
RELEASED:	DATED:	SHEET: 1 of 1	