

6

5

4

3

2

1

Version 10: When 12 has to be Opened first Close 0,1,9 then Open wait 2 seconds and recheck P4 to determine whether 0,1 should open or stay closed
 block keys 12 and 9 temporarily to prevent operator interference
 if 7 set ON manually or by Labview, 7 stays ON until switched OFF Manually or by Labview
 if NC_Timer is SET ON by He4 Mode MC is SET ON for 10 minutes, pressure checks is reactivated afterwards

REVISION RECORD			
LTR	ECO NO:	APPROVED:	DATE:

D Version 11: P5 > 1100mB > 6 ON added
 P5 > 1100mB > 6 ON added

C

B

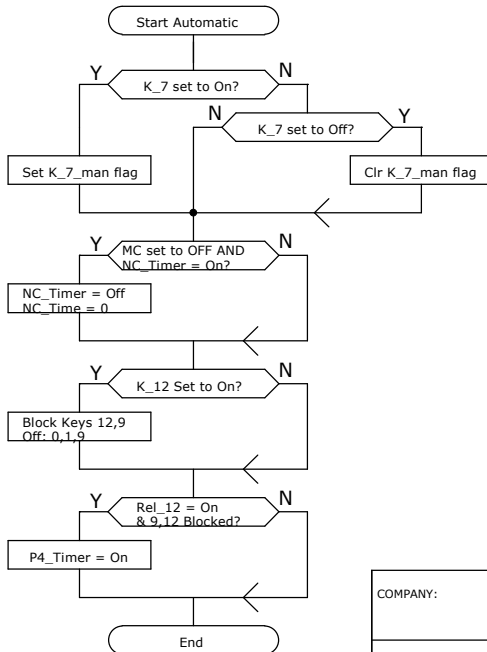
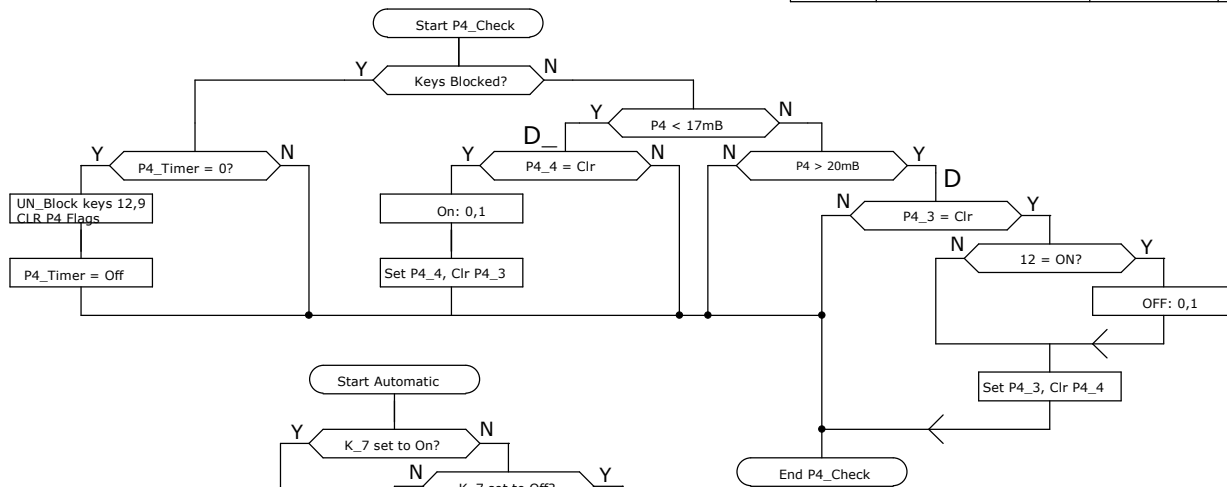
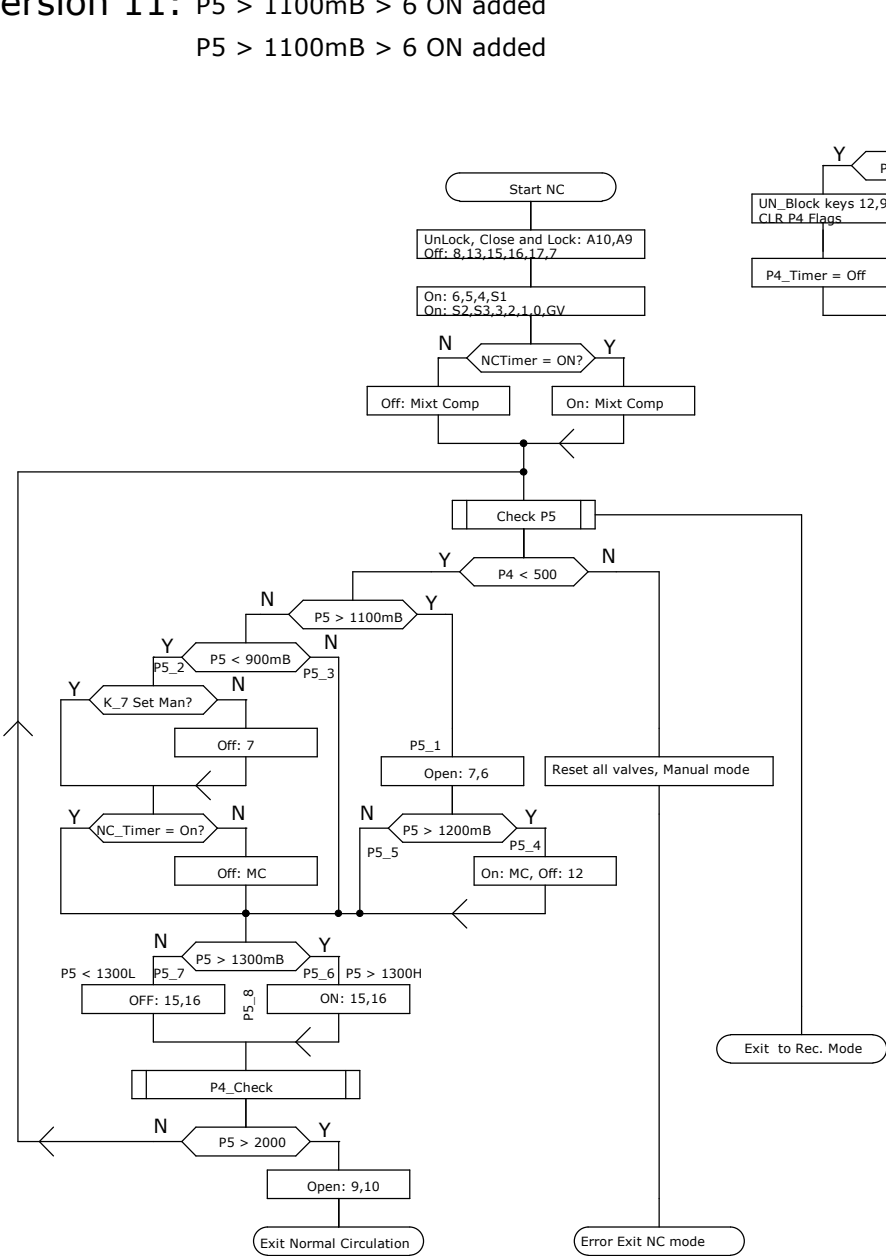
A

D

C

B

A



COMPANY:				LEIDEN CRYOGENICS			
TITLE:				SOFTWARE KLEPPEN PANEEL			
DRAWN:	A H van Dalen	DATED:	08-07-2013	CODE:	SIZE:	DRAWING NO:	REV:
CHECKED:	A H van Dalen	DATED:	08-07-2013	NC-MODE	A3	GHS-2T-1T-700-CF-2.5B-V2.48.1	13
QUALITY CONTROL:		DATED:		SCALE:			
RELEASED:		DATED:		SHEET: 1b 1			